



# VISION 21™ Exit Control Station



AMOUNT: \$120.30  
CHARGE: \$12.50

TIME: 33HRS 30M  
CHARGE: \$10.20

CARD VALUE LOW  
PAY CASHIER

TOTAL USAGE 62  
09/21/03 18:24

PASSBACK ERROR  
CARD: 12000

TIME: 13:59  
LOW TICKETS

TIME: 13:59  
OUT OF SERVICE

TIME: 13:59  
NO CAR PRESENCE

CONTRACT PAYMENTS  
ARE DUE TODAY

PLEASE TAKE  
CREDIT CARD RECEIPT

Increased vehicle throughput and convenient customer management is the criteria by which a parking client experiences the quality of a parking facility. This impression is enhanced by the reliability and payment flexibility of the entire system. PTC Industries has designed their **VISION 21™ Exit Control Station** based upon this perspective. The user-friendly design of the **VISION 21™** product line is characterized by the large scale, multi-lingual customer displays, clear instructions and the option of inserting tickets or cards in either direction.

Integration of client services include, multiple access control features and read devices, express credit card usage, system debit cards, hotel interface and valet operations, network connectivity and flexible programming options.

## SPECIFICATIONS

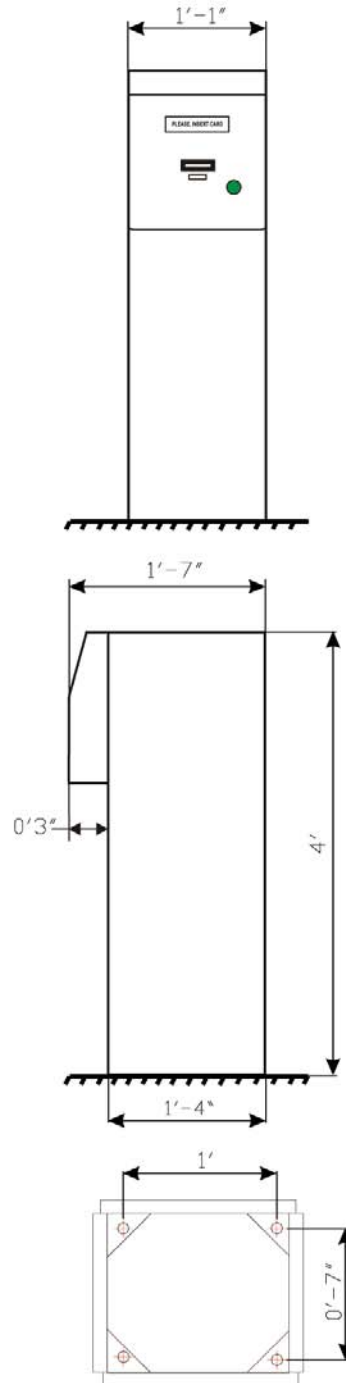
- Housing and Finish:
  - Aluminum construction
  - Standard White finish
- Electrical:
  - Power Source: 115 volts 50/60 Hz  
(220 volts 50/60 Hz)
  - Power Consumption: 6 Amps Intermittent, 24 volts
- Mechanical:
  - 9 pin dot matrix printer, cartridge ribbon, self-sharpening cutter, bi-directional automatic transport
- Dimensions: 1'1" W x 4' H x 1'7" D
- Environment:
  - Temperature: -13° to 113°F

## FEATURES

- Online System RS232, RS485 communication
- Complete Stand-alone
- Programmable graphic LCD display
- Voiding of tickets
- 16383 monthly cards
- Features soft/hard/no passback
- 256 Access Levels
- 64 Relay Time Zones
- Backup battery
- Bi-directional transport mechanism with ticket retractor
- Bi-directional loop logic
- Two-way magnetic stripe ticket and card reading
- Ticket collection box
- Programmable rates

## OPTIONS

- Push Button issuing of receipts/Fanfold tickets maximum 5,000 tickets use for receipt printing/ receipt printer
- Pre-payment mode for Events and Conventions
- Value/Debit Card Readers used for monthly parkers
- Programmable Rates
- Credit Cards
- Programmable voice announcement with intercom
- Reading specific tickets/cards of different formats
- Multi language programmable message
- Valet Parking/Operator interface/Badge reader
- Special validation system for Theater, Restaurant and Hotel parking
- Four-way reading
- Hotel room key card interface



# PTC

**INDUSTRIES**™

### PTC INDUSTRIES

1000 Berea Industrial Parkway • Berea, Ohio 44017 USA  
Tel: 440/243-7565 • 800/628-1822 • Fax: 440/243-9242  
Internet: [www.ptcind.com](http://www.ptcind.com) • E-mail: [ptcproducts@ptcind.com](mailto:ptcproducts@ptcind.com)