



VISION 21™ Entry Control Station



Increased vehicle throughput and convenient customer management is the criteria by which a parking client experiences the quality of a parking facility. This impression is enhanced by the reliability and payment flexibility of the entire system. PTC Industries has designed their **VISION 21™ Entry Control Station** based upon this perspective. The user-friendly design of the **VISION 21™** product line is characterized by the large scale, multi-lingual customer displays, clear instructions and the option of inserting tickets or cards in either direction.

Integration of client services include, multiple access control features and read devices, express credit card usage, system debit cards, hotel interface and valet operations, network connectivity and flexible programming options.

SPECIFICATIONS

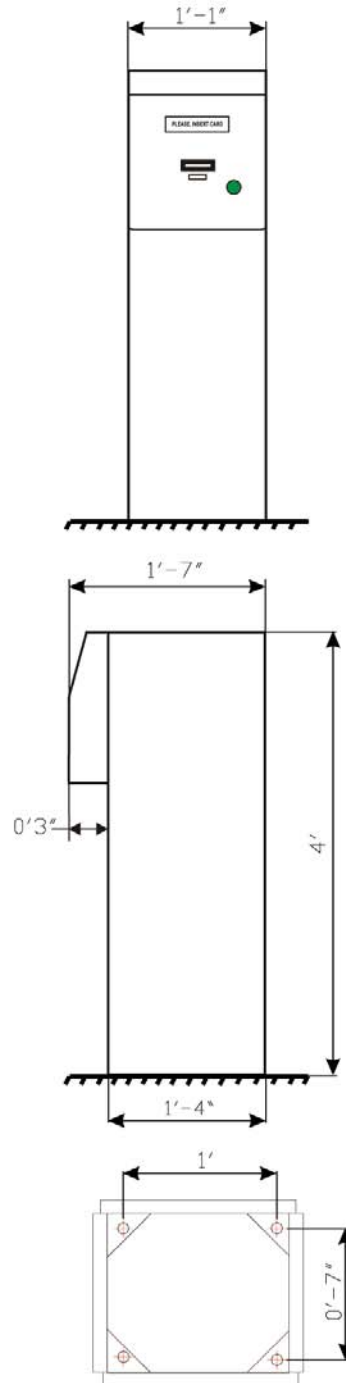
- Housing and Finish:
 - Aluminum construction
 - Standard White finish
- Electrical:
 - Power Source: 115 volts 50/60 Hz
(220 volts 50/60 Hz)
 - Power Consumption: 6 Amps Intermittent, 24 volts
- Mechanical:
 - 9 pin dot matrix printer, cartridge ribbon, self-sharpening cutter, bi-directional automatic transport
- Dimensions: 1'1" W x 4' H x 1'7" D
- Environment:
 - Temperature: -13° to 113°F

FEATURES

- Online System RS232, RS485 communication
- Complete Stand-alone
- Programmable graphic LCD display
- Tickets printed with 5 digit consecutive number, lane, rate, year, month, date, military hours and minutes
- Voiding of tickets
- Push button or Automatic Issuing of tickets
- Lot Full control
- 16383 monthly cards
- Features soft/hard/no passback
- 256 Access Levels
- 64 Time Zones
- Backup battery
- Bi-directional transport mechanism with ticket retractor
- Bi-directional loop logic
- Ticket collection box
- Bar code reader interface for valet parking

OPTIONS

- Pre-payment mode for Events and Conventions
- Value/Debit Card Readers used for monthly parkers
- Programmable Rates
- Credit Cards
- Programmable voice announcement with intercom
- Reading specific tickets/cards of different formats
- Multi-language programmable message
- Valet Parking/Operator interface/Badge reader
- Hotel room key card interface
- Two-way magnetic stripe ticket and card reading
- Hand Held Programmer
- Dual Ticket Feed



PTC

INDUSTRIES™

PTC INDUSTRIES

1000 Berea Industrial Parkway • Berea, Ohio 44017 USA
Tel: 440/243-7565 • 800/628-1822 • Fax: 440/243-9242
Internet: www.ptcind.com • E-mail: ptcproducts@ptcind.com